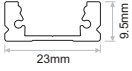


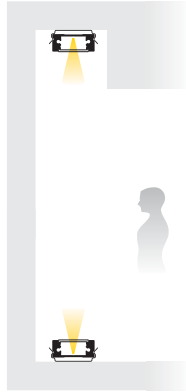
# ELECSIA

Aluminium Profile

- ELECSIA aluminium profile ideal for linear LED lighting applications.
- Variety of accessories.
- Multiple mounting options.
- Available also in black, white or different RAL colours upon request.



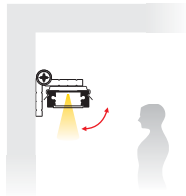
FIXED installation



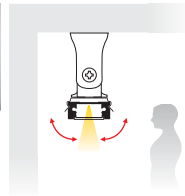
SURFACE A installation



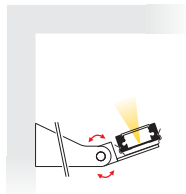
SURFACE B installation



SURFACE C installation



WALL BRACKET installation



PENDANT installation

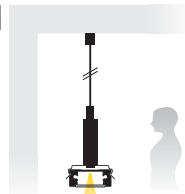

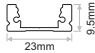



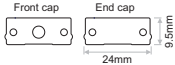

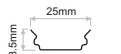

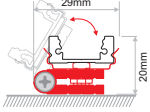

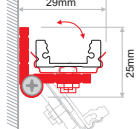

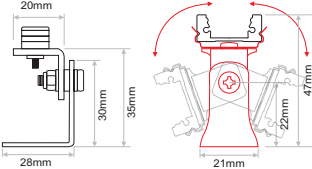

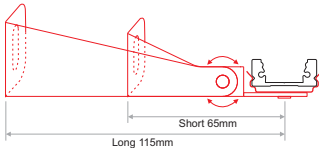




Image	Code	Description	Length	Design-Detail
	<b>PRF.118</b>	ELECSIA alum.prof. / Anodized	2m	
	<b>COV.004</b> <b>COV.005</b> <b>COV.006</b>	PMMA CLEAR COVER PMMA FROSTED COVER PMMA SATIN COVER	2m 2m 2m	
	<b>CAP.121</b> <b>CAP.122</b>	FRONT CAP (aluminium) for ELECSIA END CAP (aluminium) for ELECSIA		
	<b>ELA.008</b> <sup>(1,4)</sup>	STAINLESS STEEL HOLDER		
	<b>ACC.289</b> <sup>(2)</sup>	HINGE for SURFACE A installation (pair) for ELECSIA (adjustable without tools)		
	<b>ACC.290</b> <sup>(2)</sup>	HINGE for SURFACE B installation (pair) for ELECSIA (adjustable without tools)		
	<b>ACC.048</b> <sup>(1)</sup>	BRACKET for SURFACE C installation		
	<b>ACC.284</b> <sup>(2)</sup> <b>ACC.285</b> <sup>(2)</sup>	WALL BRACKET LONG (pair) for ELECSIA WALL BRACKET SHORT (pair) for ELECSIA		
	<b>ACC.286</b> <sup>(3)</sup> <b>ACC.287</b> <sup>(3)</sup>	CEILING SUSPENSION installation 150cm (per piece) CEILING SUSPENSION installation 300cm (per piece)		

1. Use 2 pcs for lengths up to 110cm. 3 pcs for lengths up to 170cm. 4 pcs for lengths up to 200cm.
2. Use 1 pair for lengths up to 110cm. 1,5 pair for lengths up to 170cm. 2 pairs for lengths up to 200cm.
3. Use 2 pcs for lengths up to 200cm.
4. ELA.008 can be used also as antislipper for vertical installation. Two ELA.008 must be used for every holding, required for the luminaire installation.